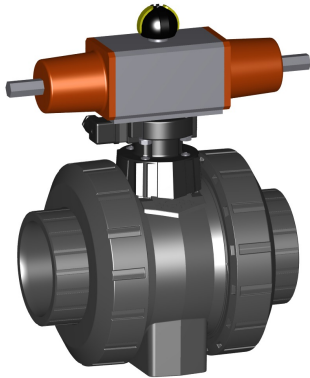
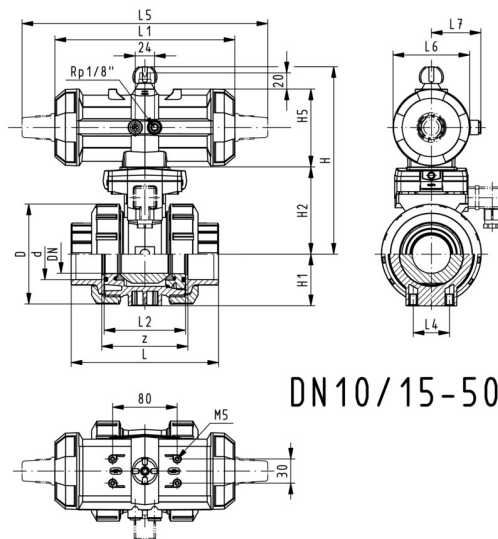


DN10/15 - 50

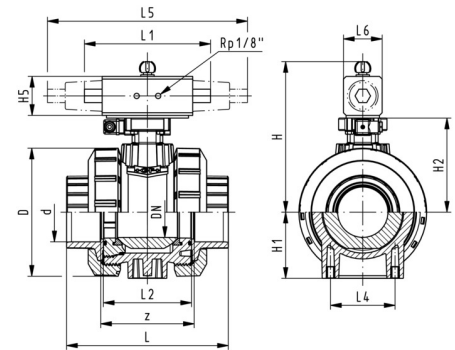


**Type 233 Pneumatically Actuated Ball Valve - PVC
FC (Fail safe to close)/without manual override
Solvent cement socket/Threaded NPT (3/8"-2")**

Size (inch)	EPDM Part No.	FKM Part No.
3/8	199 233 062	199 233 072
1/2	199 233 063	199 233 073
3/4	199 233 064	199 233 074
1	199 233 065	199 233 075
1 1/4	199 233 066	199 233 076
1 1/2	199 233 067	199 233 077
2	199 233 068	199 233 078
2 1/2	199 233 069	199 233 079
3	199 233 070	199 233 080
4	199 233 071	199 233 081



DN10/15-50



DN65-100

The technical data are not binding. They neither constitute expressly warranted characteristics nor guaranteed properties nor a guaranteed durability. They are subject to modification. Our General Terms of Sale apply.

Georg Fischer Piping Systems Ltd, Postfach, CH-8201 Schaffhausen/Switzerland

Phone +41 -(0)52-631 1111

e-mail: info.ps@georgfischer.com

Internet: <http://www.gfps.com>